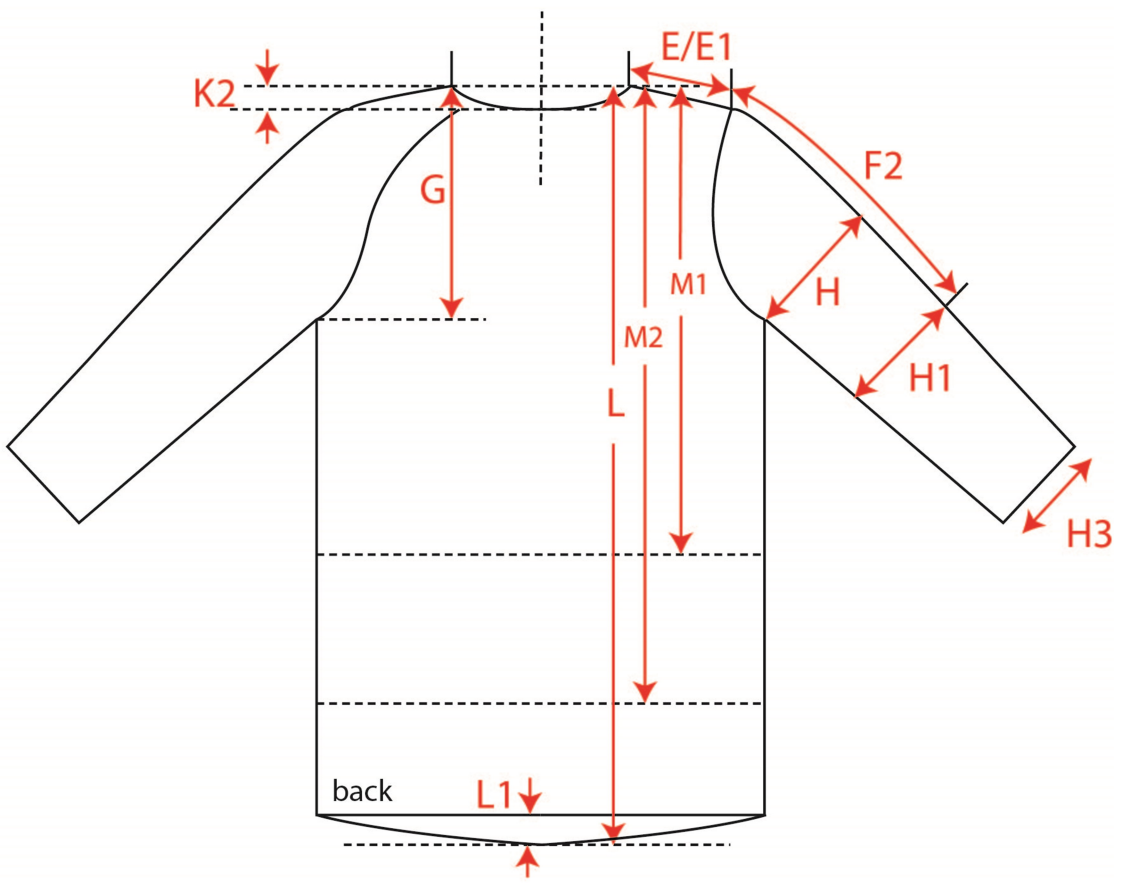
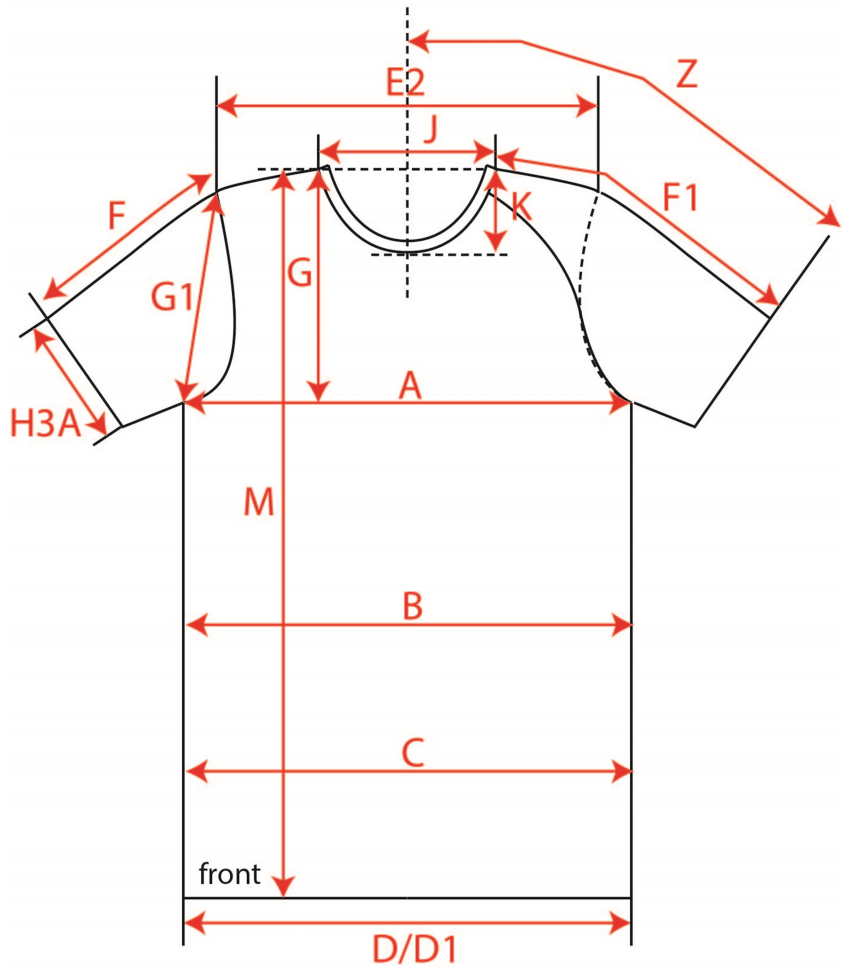


Measurement Sketch



ORDER	SEASON	CLIENT	BRAND
	SS22	n/a	Build your Brand
STYLE CODE	STYLE NAME	GENDER	SUPPLIER
BB010	Basic Round Neck T-Shirt	Male	71322



Style Measurement View for Client



ORDER	SEASON	CLIENT	BRAND
	SS22	n/a	Build your Brand
STYLE CODE	STYLE NAME	GENDER	SUPPLIER
BB010	Basic Round Neck T-Shirt	Male	71322

Basic Measurement Chart	11	S-5XL	BY004	Base Size	M
--------------------------------	----	-------	-------	-----------	---

-	Measurements (values)	XS	S	M	L	XL	XXL	3XL	4XL	5XL	6XL	7XL	8XL	Tol. +/-
M	front length from HSP	71,5	73,5	75,5	77,5	79,5	81,5	82,5	83,5	84,5	85,5	86,5	87,5	1,0
A	1/2 chest width	45,5	48,5	51,5	54,5	57,5	60,5	65,0	69,5	74,0	78,5	83,0	87,5	1,0
D	1/2 hem width	45,5	48,5	51,5	54,5	57,5	60,5	65,0	69,5	74,0	78,5	83,0	87,5	1,0
F	sleeve length from shoulder (set in)	20,0	20,5	21,0	22,0	23,0	24,0	24,5	25,0	25,5	26,0	26,5	27,0	1,0

Style Measurement View for Client



ORDER	SEASON	CLIENT	BRAND
	SS22	n/a	Build your Brand
STYLE CODE	STYLE NAME	GENDER	SUPPLIER
BB010	Basic Round Neck T-Shirt	Male	71322

Basic Measurement Chart

Base Size

-	Measurements (values)	XS	S	M	L	XL	XXL	3XL	4XL	Comment
M	front length from HSP	71,5	73,5	75,5	77,5	79,5	81,5	82,5	83,5	
A	1/2 chest width	45,5	48,5	51,5	54,5	57,5	60,5	65,0	69,5	
D	1/2 hem width	45,5	48,5	51,5	54,5	57,5	60,5	65,0	69,5	
F	sleeve length from shoulder (set in)	20,0	20,5	21,0	22,0	23,0	24,0	24,5	25,0	